

# K400

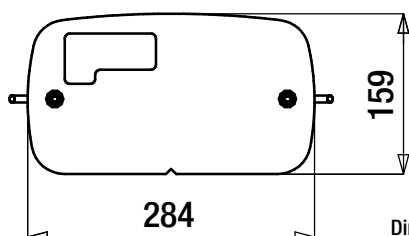
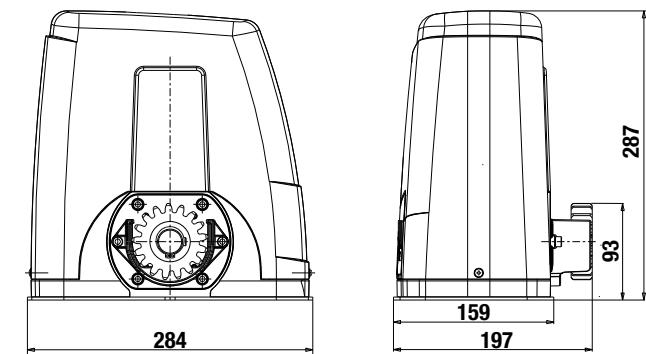
## IRREVERSIBLE OPERATOR FOR RESIDENTIAL SLIDING GATES



- K400 is the new RIB operator for sliding gates weighing up to 400 Kg.
- It is available with magnetic or electro-mechanical limit switches.
- The speed of the K400 can be adjusted from 9 to 20 m/min.
- K400 is equipped with built-in heater with temperature sensor.
- The base plate provided allows height adjustment and fixing to the ground with expansion screws or through cementation of its parts.
- Release with customized key.
- Adjustable deceleration when approaching opening and closure.
- Steel driving pinion.
- The manual release is fitted with a switch that commands the automatic repositioning of the gate in slow speed mode when normal functions are restored.
- K400 can do 30 cycles with two 1,2 Ah batteries during a blackout.
- K400 is equipped with an encoder for mapping electrical currents in order to automatically adjust impact sensitivity and in order to determine slowing phases correctly.
- In the control board the memory of the remote control codes can be removed to facilitate the maintenance.

### FOR SLIDING GATES WEIGHING UP TO 400 kg

AA40905	K400 FCM	with magnetic limit switches and K 24V-CRX pc board	492 €
AA40900	K400 FCE	with electro-mech. limit switches and K 24V-CRX pc board	492 €
AD00911	KIT K400 FCM	with magnetic limit switches	623 €
AD00912	KIT K400 FCE	with electro-mech. limit switches	623 €
GAR0064	Warranty extension 4 years for K400		70 €
GAR0065	Warranty extension 7 years for K400		120 €



48 x



Dimensions in mm

### TECHNICAL DATA

		K400
Max. gate weight	Kg	400
Operating speed	m/s	0,15÷0,33
Max. thrust force	N	434
Max torque	Nm	14,7
Power supply	V	230
Power absorbed	A	1
Rack module		4
Actuator weight	Kg	9,8
Protection grade	IP	44
Operating temperature	°C	-10 ÷ +55
Daily cycles suggested		78
Service	%	100
Nr of consecutive cycles guar.		16/5m

**ACCESSORIES FOR K400**



**ACG4667 BATTERY CHARGER**  
for K400

66 €



**ACG9511 BATTERY**  
1,2Ah 12V (order 2 pieces for each  
battery charger ACG4776)

24 €



**ACG8116 BASE PLATE**  
adapter C-BX for K400

46 €



**ACG8010 DUO CARD**  
to simultaneously manage all  
safety and command accessories  
for two K400

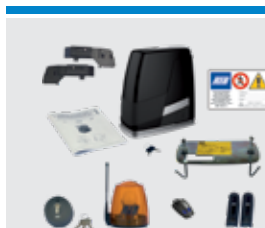
149 €



**ACS9000 Module 4 RACK**  
(sect. 25 x 22 mm) in Nylon  
with right-angle (up to 1000 kg)  
in 1 m bars **per m 18 €**  
ACS9001 Set 10 m **165 €**



**ACS9006 Module 4 RACK**  
(sect. 25 x 22 mm) in Nylon  
with right-angle  
(up to 1000 kg)  
in 1 m bars **per m 26 €**



**KIT K400**

See page 110

starting from 623 €