

MAGIC

REVERSIBLE UNDERGROUND OPERATOR FOR SWING GATES

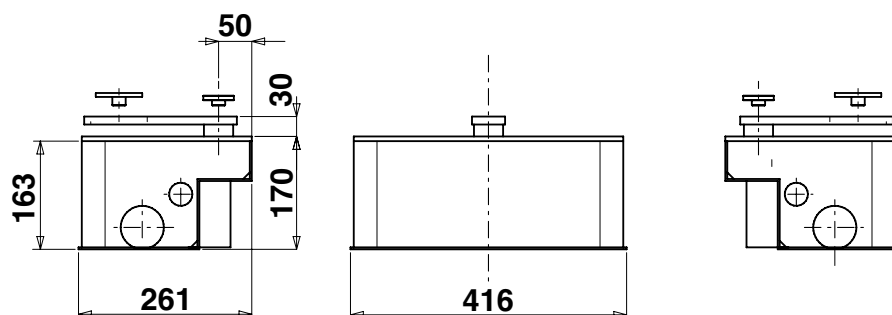


- The MAGIC also features a mechanical clutch (due to its reverse function, installation of this model also requires the fitting of an electric lock to the gate). In the event of power failure, simply open the electric lock and push the gate.
- Once the unit has been installed, only minimum maintenance is required, while the reinforced cover, mechanical design of components and anti-corrosion CATAPHORESIS treatment protect it against water, dust and rust.
- The adjustable mechanical stopper supplied ensure the correct gate position during both opening and closing; no need to install mechanical stopper on the ground or internal electric limit switches .

FOR SWING GATES WITH EACH LEAF UP TO 2,5 m LONG AND WEIGHING UP TO 350 kg

AA10920M	MAGIC 105°	(needs foundation box code ACG8402)
AA10930M	MAGIC 180°	(needs foundation box code ACG8412)

GAR0032	Warranty extension 4 years for MAGIC
GAR0033	Warranty extension 7 years for MAGIC



Dimensions in mm

32 x



TECHNICAL DATA		MAGIC 110°	MAGIC 180°
Max. leaf length	m	2,5	
Max. leaf weight	kg	350	
Average opening time	s	20	40
Max torque	Nm	250	
Power supply	V	230	
Power absorbed	A	0,8	
Actuator+box weight	kg	22,4	25,2
Protection grade	IP	677	
Operating temperature	°C	-10 ÷ +55	
Daily cycles suggested		80	
Service	%	50	
Nr of consecutive cycles guar.		33/20s	16/40s

ACCESSORIES FOR MAGIC



**ACG8402 FOUNDATION BOX
MAGIC 105°**



**ACG8412 FOUNDATION BOX
MAGIC 180°**



137

NEW



ABB2050 B2-CRX
pc board (for 1 or 2 MAGIC) with
thrust regulator and radio receiver
433MHz. With box IP55.
See page 135 and 145



ACG8660 HORIZONTAL LOCK
12Vac.



ACG8670 HORIZONTAL LOCK
12Vac.



ACG8650 VERTICAL LOCK
12Vac.



ACG5000 MECHANICAL BOLT
for 2-leaf gates to latch closed
gate to the ground.

