

SUPER 2200-3600

IRREVERSIBLE OPERATORS
FOR INDUSTRIAL SLIDING GATES



- SUPER 2200 is equipped with S1-CRX control boards built inside, without radio receiver, with **gradual start**, electronic adjustment of the force, **soft-stop in approaching and electronic brake**.
- SUPER 2200 and SUPER 3600 are heavy-duty units, a **fan-cooled electric motor**, a reducer with mechanical components in an oil bath and an high-precision limit switch system for gates up to 10,5 m (SUPER 2200) and 13,5 m (SUPER 3600).
- Thanks to the over-dimensioned mechanical SUPER allow **uninterrupted operations**.
- In 45 years of history, SUPER has been modified only in few parts and remains today one of the most reknown RIB products.
- S1-CRX: Radio receiver built-in. Pedestrian opening command. Safety strip autotest as required by EN12453. Built-in heating system with ACG4665 to withstand -30°C.
- The SUPER 2200 operators are now also available with a magnetic limit switch system for the same price of the electromechanical version.

FOR SLIDING GATES WEIGHING UP TO 2200 kg

AA30060	SUPER 2200 FCE Fan-cooled	with built-in S1-CRX control board
AA30063	SUPER 2200 FCE FAST Fan-cooled	with built-in S1-CRX control board
AA30067	SUPER 2200 FCM ICE Fan-cooled	with built-in S1-CRX control board



FOR SLIDING GATES WEIGHING UP TO 3600 kg

AA30032	SUPER 3600 Fan-cooled	with built-in S1/R2-CRX control board
AA30036	SUPER 3600 FAST Fan-cooled	with built-in S1/R2-CRX control board
AA36085	SUPER 3600 ICE Fan-cooled	with built-in S1/R2-CRX control board



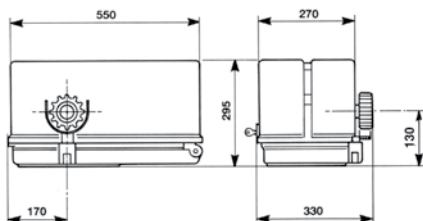
ICE

With special lubricants and PROBE ACG4665 already installed to keep the motor warm (for immediate starts with temperatures as low as -30°C)

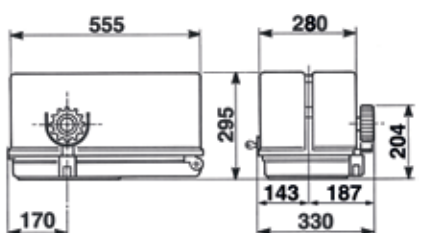
FAST

Operator with speed of 20m/min. Not to be used on gates ending their run against a pillar or a U-shape bar. It is preferable when they end their run next to the pillar.

FCM with magnetic limit switches
FCE with electro-mechanical limit switches



SUPER 2200



SUPER 3600

12 x

Dimensions in mm

TECHNICAL DATA		SUPER 2200	SUPER 2200 FAST	SUPER 3600	SUPER 3600 FAST
Max. gate weight	Kg	2200		3600	
Operating speed	m/s	0,173	0,336	0,165	0,33
Max. thrust force	N	1060	900	3800	2380
Max torque	Nm	31,8	27	159	99
Power supply	V	230			
Power absorbed	A	2	2,43	2,98	3,3
Rack module		4		6	
Actuator weight	Kg	25		42	
Protection grade	IP	55			
Operating temperature	°C	-10 ÷ +55			
Daily cycles suggested		500	600	700	
Service	%	70	80	100	
Nr of consecutive cycles guar.		15/10m	20/10m	700/10m	

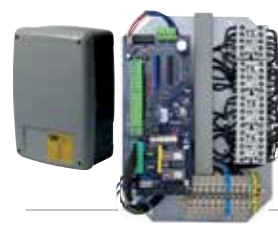
ACCESSORIES FOR SUPER



ACG4665 PROBE
for S1-CRX to keep the motor warm (for prompt start at low temperatures)



ACG7089 LIMIT SWITCH
group for SUPER 3600 for gates longer than 13 m (up to max 18 m)



ABKS160S KS2S/R2
control board for 2 SUPER 2200 - 3600 with box



ACG8103 BASE PLATE
for SUPER 2200 - 3600 operators



ACS9020 Module 4 RACK
in iron (sect. 22 x 22 mm) (up to 2200 kg) in 2 m bars **per m**



ACS9040 Module 4 RACK
in iron (sect. 22 x 22 mm) with right-angle member (up to 2200 kg) in 2 m bars **per m**



ACS9050 Module 4 RACK
in iron (sect. 22 x 22 mm) with CATAPHORESIS treatment, right-angle (up to 2200 kg) in 2 m bars **per m**



ACS9060 Module 6 RACK
in iron (sect. 30 x 30 mm) in 2 m bars **per m**



ACS9080 Module 6 RACK
in iron (sect. 30 x 30 mm) with right-angle member in 2 m bars **per m**



ACS9090 Module 6 RACK
in iron (sect. 30 x 30 mm) with CATAPHORESIS treatment, right-angle in 2 m bars **per m**



ACG8010 DUO CARD
to simultaneously manage all safety and command accessories for two SUPER

SUPER 4000-8000

IRREVERSIBLE OPERATORS
FOR INDUSTRIAL SLIDING GATES



- SUPER 4000 is a heavy-duty unit, a fan-cooled electric motor, a reducer with mechanical components in an oil bath and an high-precision limit switch system for gates up to 13,5 m long.
- SUPER 6000 is designed to operate gates weighing up to 6 tons and is complete of a selfbreaking motor to reduce the inertial movement and an oleodynamic turbine which permits gradual starts.
- SUPER 8000 **FAST** is the new operator with high speed able to manage sliding gates extremely long and heavy.
- SUPER 8000 **FAST** has an inverter (for gradual start-up and deceleration in the last part of the run), four independent watertight limit switches and an electrobrake (to stop the leaf at the end of the run, thereby eliminating the inertia generated).
- SUPER 8000 **FAST** is designed to operate gates weighing up to 8 tons. Hence SUPER 8000 **FAST** is the most powerful sliding gate operator in the world.
- Thanks to the over-dimensioned mechanical SUPER allow uninterrupted operations.
- In 45 years of history, SUPER has been modified only in few parts and remains today one of the most reknown RIB products.
- S1/R2-CRX control panel has built-in radio receiver.

FOR SLIDING GATES WEIGHING UP TO 4000 kg

AA36065	SUPER 4000 3-phase Fan-cooled	with built-in S1/R2-CRX control board
AA36080	SUPER 4000 ICE 3-phase Fan-cooled	with built-in S1/R2-CRX control board
AA36061	SUPER 4000 3-phase Fan-cooled	without control board
AA36075	SUPER 4000 ICE 3-phase Fan-cooled	without control board



FOR SLIDING GATES WEIGHING UP TO 6000 kg

AA38004	SUPER 6000 3-phase Fan-cooled	with electrobrake and without control board
AA38006	SUPER 6000 ICE 3-phase Fan-cooled	with electrobrake and without control board



FOR SLIDING GATES WEIGHING UP TO 8000 kg

AA38010	SUPER 8000 FAST 3-phase Fan-cooled	with electrobrake, inverter, control board S1-CRX
---------	---	---

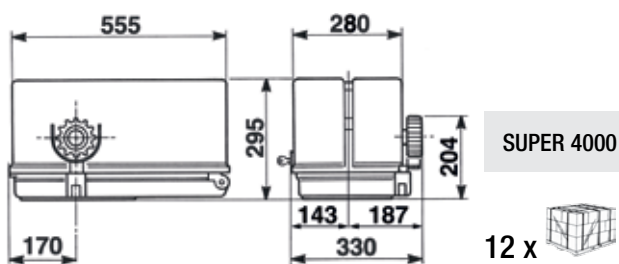


ICE

With special lubricants (for immediate starts with temperatures as low as -30°C)

FAST

Operator with speed of 20m/min. Not to be used on gates ending their run against a pillar or a U-shape bar. It is prerrable when they end their run next to the pillar.



SUPER 4000

12 x

TECHNICAL DATA		SUPER 4000	SUPER 6000	SUPER 8000 FAST
Max. gate weight	Kg	4000	6000	8000
Operating speed	m/s	0,165	0,160	0,33
Max. thrust force	N	4400	9000	
Max torque	Nm	185	405	
Power supply	V	400		
Power absorbed	A	1,6	6,39	
Rack module		6		
Actuator weight	Kg	42	123	120
Protection grade	IP	55		
Operating temperature	°C	-10 ÷ +55		
Daily cycles suggested		700		
Service	%	100		
Nr of consecutive cycles guar.		700/10m		

Dimensions in mm

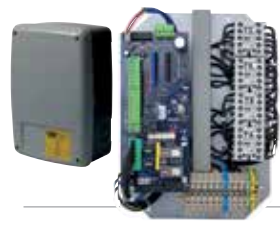
ACCESSORIES FOR SUPER



ACG7089 LIMIT SWITCH
group for SUPER 4000 for gates longer than 13 m (up to max 18 m)



ABS1/R2RX S1/R2-CRX
control board for 1 SUPER 4000 AA36061-AA36075. with box
See page 139 and 145



ABKS160S KS2S/R2
control board for 2 SUPER 4000 with box



ABS1/R4RX S1/R4-CRX
control board for 1 3-PHASE SUPER 6000 with box
See page 139 and 145



ABKS162 KS2/R4
control board for 2 3-PHASE SUPER 6000 with box



ACG8103 BASE PLATE
for SUPER 4000 operators



ACG8105 BASE PLATE
for SUPER 6000 and SUPER 8000 **FAST** operators



ACS9060 Module 6 RACK
in iron (sect. 30 x 30 mm) in 2 m bars
per m



ACS9080 Module 6 RACK
in iron (sect. 30 x 30 mm) with right-angle member in 2 m bars
per m

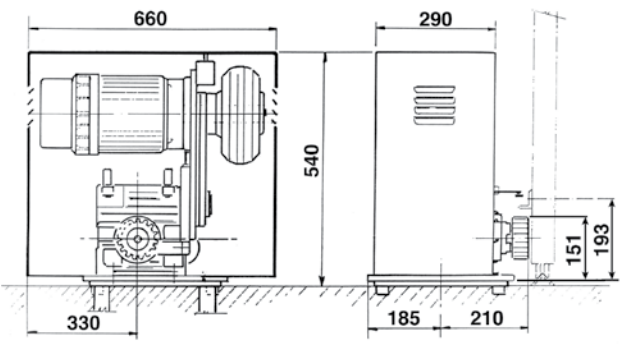


ACS9090 Module 6 RACK
in iron (sect. 30 x 30 mm) with CATAPHORESIS treatment, right-angle in 2 m bars
per m



ACG8010 DUO CARD
to manage and guarantee the contemporary safety of two SUPER

SUPER 6000



Dimensions in mm

SUPER 8000 **FAST**

